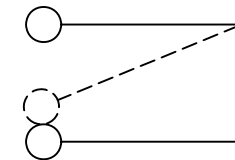
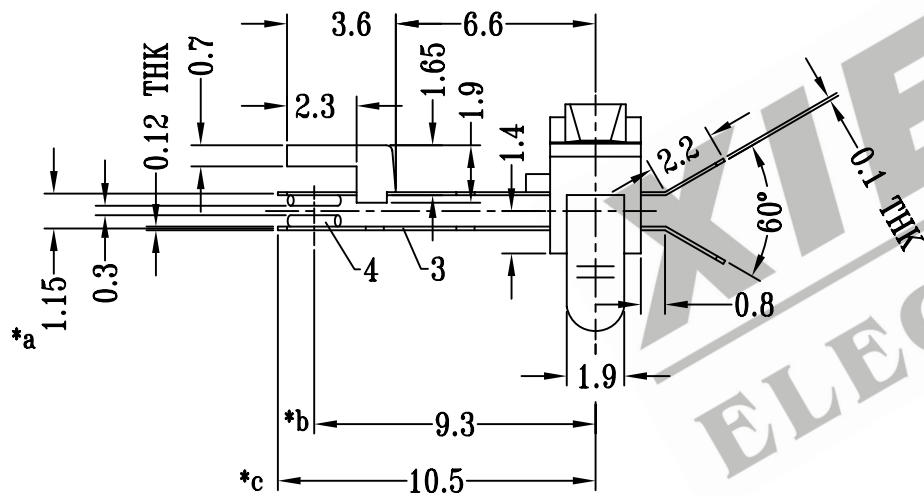
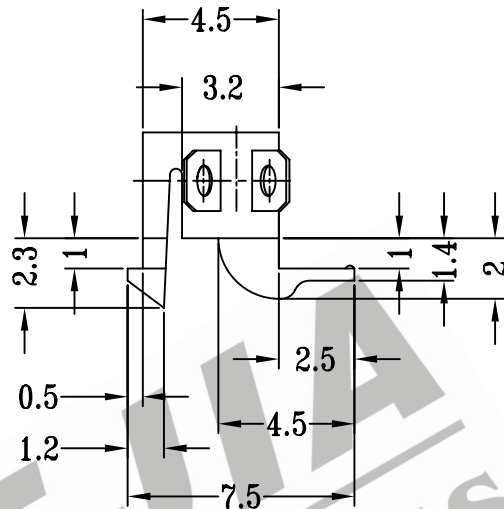
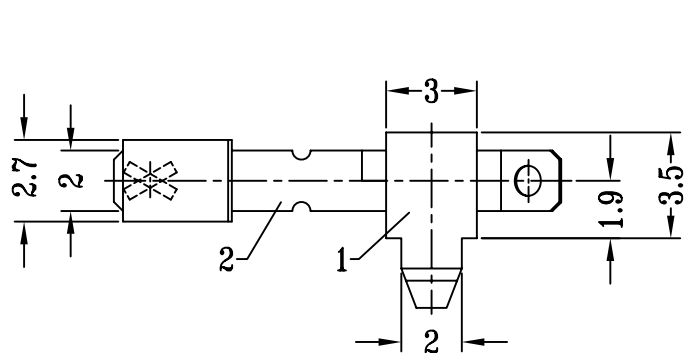


CAD FILE:



**SCHEMATIC**

注:带"\*"表示关键尺寸(3个)

MODEL	SPRING PLATE
LF-002	G=GOLD
	N=NICKEL
	S=SILVER
	X=NIL

NO.	PARTS	MATERIALS	Q'TY	FINISH	TOLERANCE UNLESS SPECIFIED	SHENZHEN XIEJIA ELECTRONICS CO.,LTD.				
8					WITHIN: 1.5±0.1mm OVER : 1.5±0.2mm	ISSUE	DATE	DESCRIPTIONS OF REVISION		APPD.
7										
6										
5										
4	CONTACT	PBS WIRE	2	Ag PLATED	TITLE : LEAF SWITCH	UNIT : mm	DRWG NO.: XJ-DR-LF002-00			
3	SPRING PLATE B	PBS STRIP	1	NATURAL						
2	SPRING PLATE A	PBS STRIP	1	NATURAL	MODEL: LF-002	SCALE: 4:1	DWN.	ZHOUYU	2001-12-21	
1	CASE	POM	1	BLACK			CHK'D	FANGYING	2001-12-21	
					ALL MATERIALS MUST BE COMPLIANT TO ROHS	APPD.	KANGXINAN	2001-12-21		